



MD-90

## MD-90 Series

### Precision Quartz Clock

Manufactured by Mid-Continent Instruments and Avionics

THE MD-90 SERIES IS DESIGNED FOR ACCURACY AND IS TRUSTED BY MANY AIRCRAFT MANUFACTURERS AND OWNERS.

Accurate time-keeping is important to an instrument pilot, and it is a requirement that a timepiece with a sweep second pointer be on board the airplane. The MD-90 Series Precision Quartz Clock is the ideal solution.

The 2-inch MD-90 Series features extremely low current draw, transient and reverse polarity protection. Each clock is manufactured to meet rugged aircraft environmental standards. With a high-quality, solid-state quartz movement and a variety of lighting options, a 12-hour analog clock is an essential part of any instrument panel.

- Precision quartz movement
- Compact 2-inch size – fits standard panel cutout
- Lighted version available with field-replaceable light tray
- Transient and reverse polarity protected
- Original equipment for many major aircraft manufacturers
- Low power consumption (3 mA)
- Continuously powered by aircraft battery
- FAA PMA certified
- Designed and built in Wichita, Kansas, USA
- One-year limited warranty

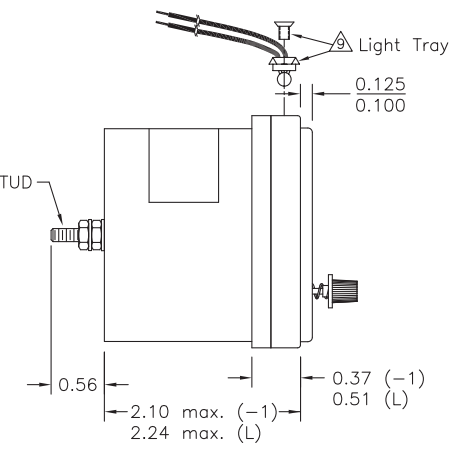
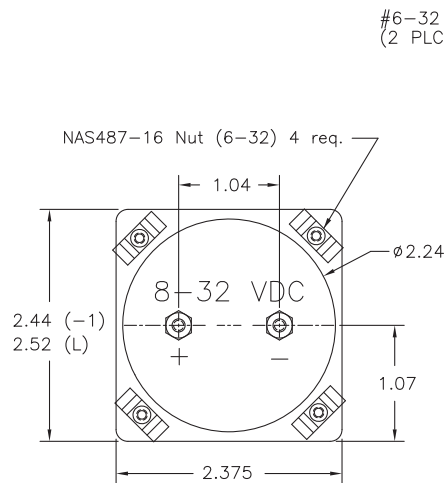
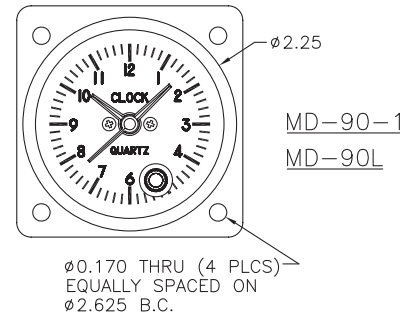
# MD-90 Series Precision Quartz Clocks

Manufactured by Mid-Continent Instruments and Avionics



## SPECIFICATIONS

Power Input	8-32 VDC 3 mA max (without lighting)
Accuracy	±30 seconds in 24 hrs
Dimensions	2.5 x 2.5 x 3.2 inches max
Weight	0.5 lbs
Temperature	-40°C to +82°C (-40°F to +180°F)
Altitude	-1,000 to +55,000 ft
Humidity	0 to 95% at 25°C
Vibration	02 in. dbl. ampl., 1.5g @ 5 to 50 Hz
Certification	FAA PMA
Mounting	Front or rear-panel mounted
Connector	#6-32 threaded terminals



PART NUMBER	CONFIGURATION
MD-90-1	8-32 VDC
MD-90L	8-32 VDC, Lighted